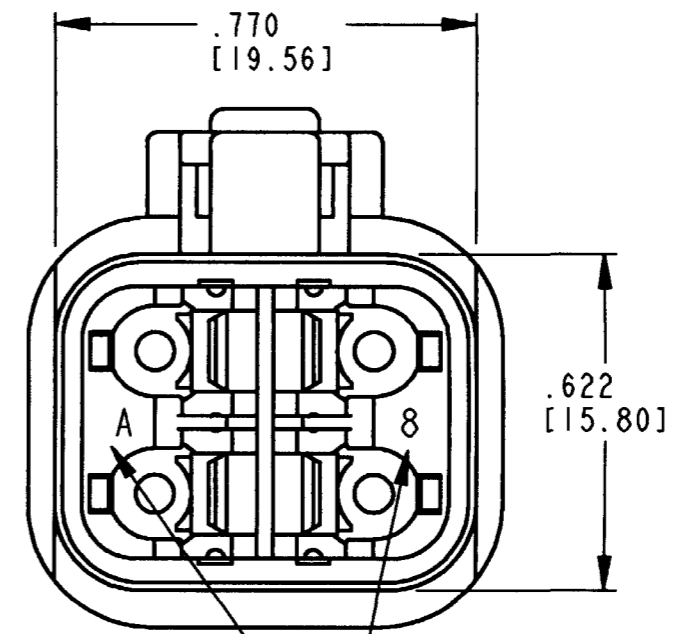
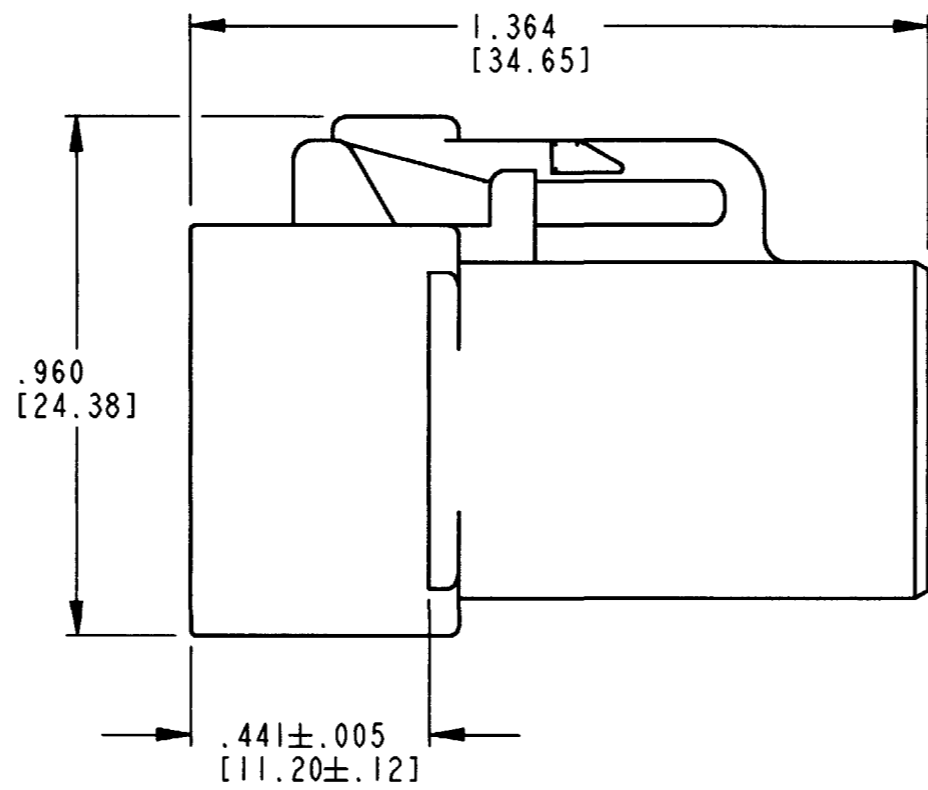
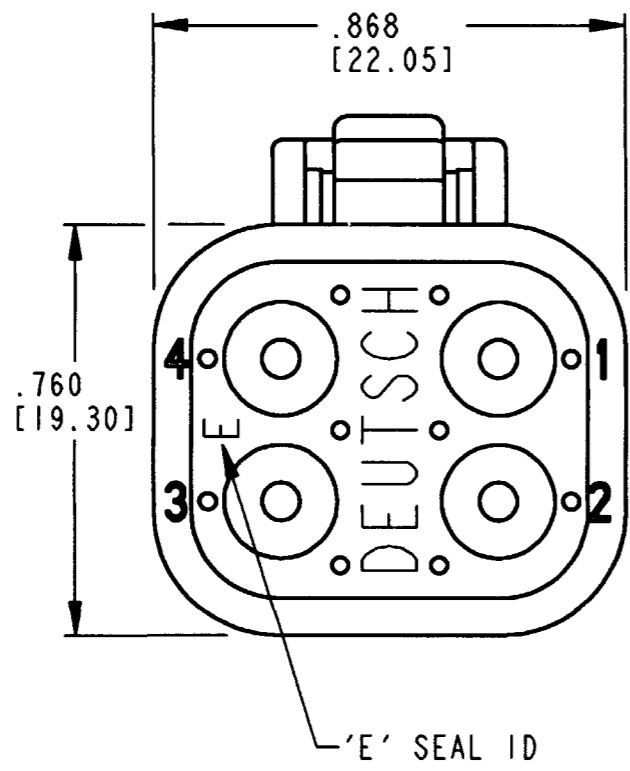


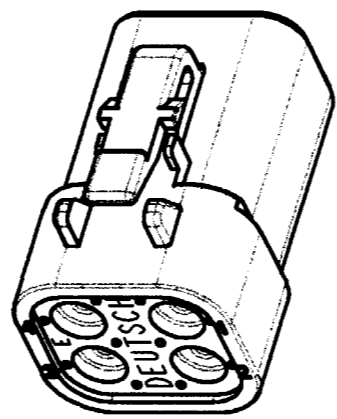
REV B DTP06-4S-C015

REVISIONS			
SYM	DESCRIPTION	DATE	APPROVED
NC	NEW RELEASE PER E.O. P15741	08/17/98	R.D.R.
A	REVISED PER E.O. P16905	10/18/00	R.D.R.
B	REVISED PER E.O. P18081	4-7-03	RDR



DATE CODE: MONTH IS REPRESENTED BY SEQUENTIAL ALPHA CHARACTERS. EX: A=JANUARY; YEAR IS REPRESENTED BY LAST NUMERICAL DIGIT. EX: 8=2008

- 6. MATERIAL: HOUSING: PLASTIC; GROMMET: RUBBER
  - 5. THIS PLUG MATES WITH DTP04-4P-\*\*\*\* RECEPTACLE. (\*\*\*\* = ALL MODIFICATIONS)
  - 4. FOR CONTACT AND WIRE PERFORMANCE AND APPLICATION CHARACTERISTICS SEE ENVELOPE DRAWING 0425-015-0000.
  - 3. SECONDARY WEDGE LOCK SOLD SEPARATELY, WP-4S.
  - 2. DIMENSION TOLERANCE: ±.025 [ .64].
  - 1. DIMENSIONS ARE IN INCHES [mm].
- NOTES: UNLESS OTHERWISE SPECIFIED



3D VIEW

CONTACT SIZE	MIN. INSUL. O.D.	MAX INSUL. O.D.	WIRE RANGE [mm <sup>2</sup> ] REF ONLY
12	.097 [2.46]	.158 [4.01]	12-14 AWG [3.0-2.0]

SIGNATURE & DATE	
DR	D. MEYER 08/07/98
CHK	X. Smith 4/4/03
PE	D. Meyer 4/4/03
APPD	R. Reed 4-7-03
SCALE	NONE WT

PLUG  
4 CONTACTS, SIZE 12  
COLOR: GREY  
'E' SEAL  
-C015 MOD  
DTP SERIES  
ENVELOPE

CP EP040	MATL. CODE
<b>The Deutsch Company</b> DEUTSCH I.P.D. 3850 INDUSTRIAL AVE. HEMET, CALIF. 92545	
<b>B DTP06-4S-C015</b>	
DWG SIZE	CODE 11139 SHEET   OF